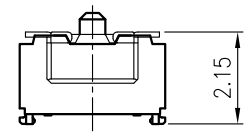
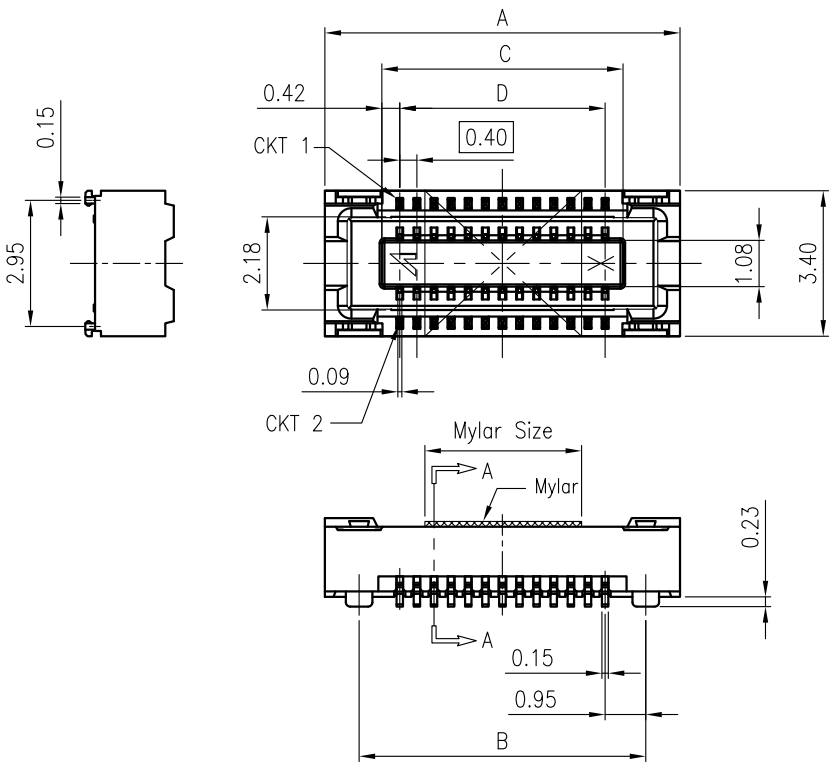
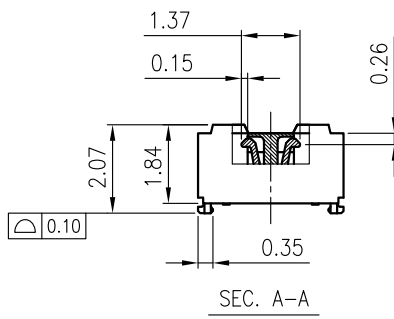


RECOMMENDED PCB LAYOUT
GENERAL TOLERANCE ±0.05



MATING HIGH



SEC. A-A

NOTES:

- MATERIAL:
 - HOUSING: THERMOPLASTIC, HIGH TEMP., UL94V-0; COLOR IS BLACK.
 - CONTACT: COPPER ALLOY
- FINISH:
 - CONTACT: GOLD FLASH OVER ALL
50u"~100u" NICKEL UNDERPLATING OVERALL.
 - FITTING NAIL: 100u"~200u" MATT TIN OVER ALL
50u"~100u" NICKEL UNDERPLATING OVERALL.
- IR REFLOW CAPABLE TO 260°C PER ACES SPEC.
- SPEC. PLS. REFER TO PS-50007-xxxx-xxx
- PACKAGE PLS. REFER TO 88661-XXXX-TRP
- PART NUMBER

50010-XXX X X-XXX

| | | |
|-----|---------------|--------------|
| XXX | Housing Color | Halogen Free |
| 001 | Black | HF |

PLATING
1: GOLD FLASH OVER ALL

PACKING
0: TAPE & REEL
1: TUBE PACKAGE
4: TAPE & REEL WITH MYLAR
5: TUBE PACKAGE WITH MYLAR

No Of CKT

| CKT | Dim A | Dim B | Dim C | Dim D | Mylar Size |
|-----|-------|-------|-------|-------|------------|
| 10 | 5.10 | 3.50 | 2.44 | 1.60 | 2.5 |
| 14 | 5.90 | 4.30 | 3.24 | 2.40 | |
| 20 | 7.10 | 5.50 | 4.44 | 3.60 | |
| 24 | 7.90 | 6.30 | 5.24 | 4.40 | 3.0 |
| 26 | 8.30 | 6.70 | 5.64 | 4.80 | |
| 30 | 9.10 | 7.50 | 6.44 | 5.60 | |
| 40 | 11.10 | 9.50 | 8.44 | 7.60 | 5.0 |
| 50 | 13.10 | 11.50 | 10.44 | 9.60 | |
| 60 | 15.10 | 13.50 | 12.44 | 11.60 | |
| 70 | 17.10 | 15.50 | 14.44 | 13.60 | 10.0 |
| 80 | 19.10 | 17.50 | 16.44 | 15.60 | |
| 90 | 21.10 | 19.50 | 18.44 | 17.60 | |
| 100 | 23.10 | 21.50 | 20.44 | 19.60 | 15.0 |
| 120 | 27.10 | 25.50 | 24.44 | 23.60 | |

| | | | |
|--|---|---|--|
| 一般公差 TOLERANCES X ±0.5 .XX ±0.15 X ±0.25 .XXX ±0.1 ANGLES ±2° | | 宏致電子股份有限公司 Aces Electronic Co.,Ltd. | |
| 檢驗尺寸標示 SYMBOLS (M) (S) INDICATE CLASSIFICATION DIMENSION (M) MARK IS CRITICAL DIM. (S) MARK IS MAJOR DIM. | 品名 (TITLE) 0.4mm BTB D/R RCPT SMT S/T TYPE 圖號 (DWG.NO) 50010-XXXXX-XXX | 製圖 (DR) 11/04/22 yangwu 審核 (CHKD) CARL 核准 (APPD) JASON | 張數 (SHEET) 1 OF 1 比例 (SCALE) 6:1 單位 (UNITS) mm |
| 表面處理 (FINISH) | | 張數 (SHEET) 1 OF 1 比例 (SCALE) 6:1 單位 (UNITS) mm | 圖號 (DWG.NO) 50010-XXXXX-XXX 圖號 (DWG.NO) 50010-XXXXX-XXX |